

Φ4mm 515nm Laser Module

Features

APC (auto power control) IC inside
Low current consumption of the APC circuit
Much smaller LD module
Surge current protection
High quality lens for output beam

Absolute maximum ratings

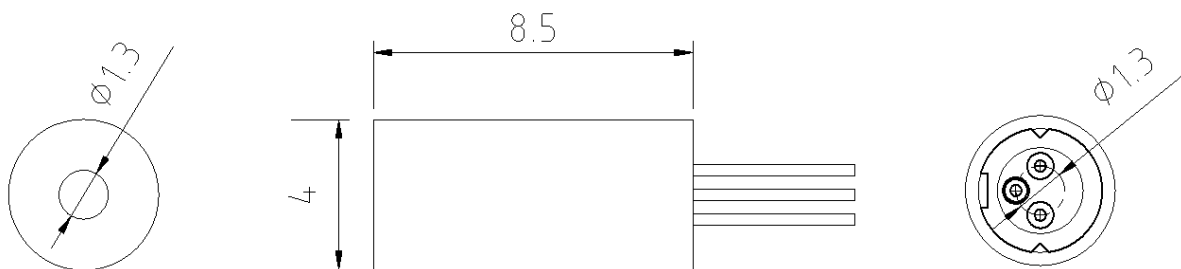
Parameter	Symbol	Rating	Unit
Power supply voltage	Vcc	7	V
Laser Module optical output power	Po	<1	mW
Operation temperature	Topr	0~50	°C
Storage temperature	Tstg	0~85	°C

Electrical and optical characteristics (T_c=25 °C)

Parameter	Symbol	Min.	Typ.	Max.	Unit	Conditions
Wavelength	λ	510	520	530	nm	Po= 1mW
Operation current	Iop	-	-	100	mA	Po= 1mW ; Vcc=6V
Optical output power	Pout	0.5		0.9	mW	
Operation voltage	Vop	-	6	6.5	Volt	
PWM Control mode	PWM	100		2000	KHz	Add 10uf capacitance , Duty cycle=50%
Laser Beam spot size at 10m					<20mm	
Divergence angle					2 mrad	

* Sufficient heat dissipation is required for CW operation.

Outline dimensions (Units: mm)



Aperiuere: 1.3mm

ARIMA LASERS CORP.

PHONE: 886-3-4699800 | FAX: 886-3-4699600

E-MAIL: Ldsales@arimalasers.com | www.arimalasers.com

For reference only. Contents above are subject to change without notice.

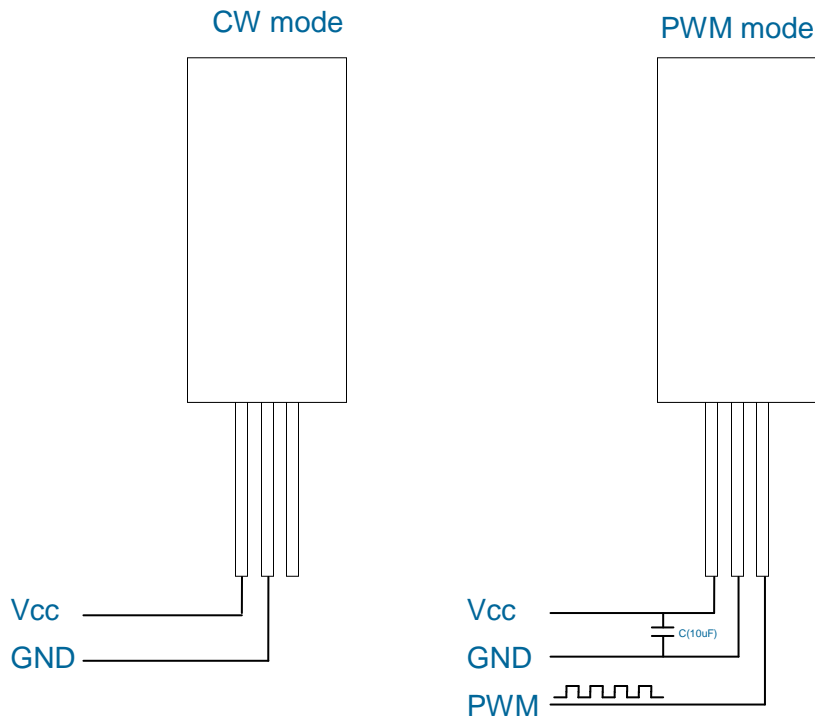
Arima
LASERS

Φ4mm 515nm Laser Module

PIN Assignment:



Pin 1 : Vcc
Pin 2 : GND
Pin 3 : PWM



Precautions

- * Do not operate the device above maximum ratings. Doing so may cause unexpected and permanent damage to the device.
- * Take precautions to avoid electrostatic discharge and/or momentary power spikes. A change in the characteristics of the laser or premature failure may result.
- * Proper heat sinking of the device assures stability and lifetime. Always ensure that maximum operating temperatures are not exceeded.
- * Observing visible or invisible laser beams with the human eye directly, or indirectly, can cause permanent damage. Use a camera to observe the laser.
- * No laser device should be used in any application or situation where life or property is at risk in event of device failure.
- * Specifications are subject to change without notice. Ensure that you have the latest specification by contacting us prior to purchase or use of the product.

ARIMA LASERS CORP.

PHONE: 886-3-4699800 | FAX: 886-3-4699600

E-MAIL: Ldsales@arimalasers.com | www.arimalasers.com

For reference only. Contents above are subject to change without notice.